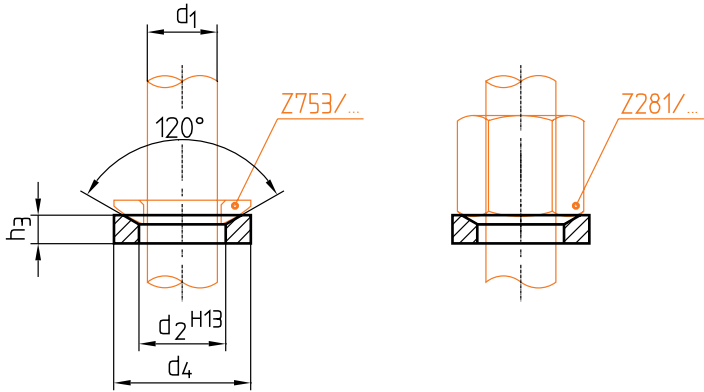
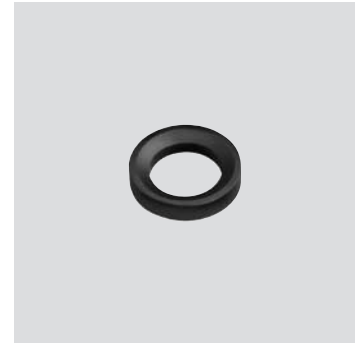


Z 754/... (V5220/...)

DIN 6319

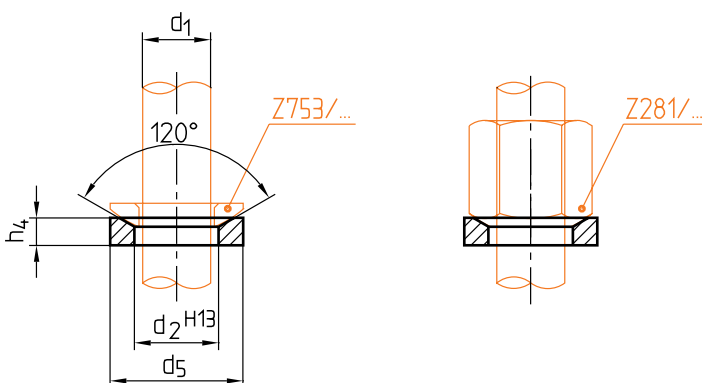
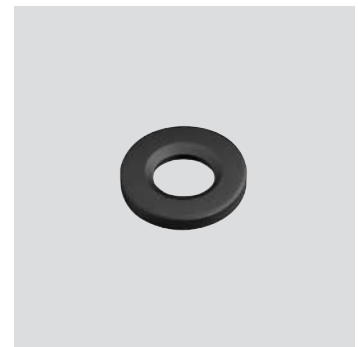


| Z281/..., Z753/... | d <sub>2</sub> | d <sub>4</sub> | h <sub>3</sub> | d <sub>1</sub> | Nr./No. |
|--------------------|----------------|----------------|----------------|----------------|---------|
| Z281/..., Z753/ 6  | 7,1            | 12             | 2,8            | <b>6</b>       | Z754/ 6 |
| 8                  | 9,6            | 17             | 3,5            | <b>8</b>       | 8       |
| 10                 | 12             | 21             | 4,2            | <b>10</b>      | 10      |
| 12                 | 14,2           | 24             | 5              | <b>12</b>      | 12      |
| 14                 | 16,5           | 28             | 5,6            | <b>14</b>      | 14      |

| Z281/..., Z753/... | d <sub>2</sub> | d <sub>4</sub> | h <sub>3</sub> | d <sub>1</sub> | Nr./No. |
|--------------------|----------------|----------------|----------------|----------------|---------|
| Z281/..., Z753/16  | 19             | 30             | 6,2            | <b>16</b>      | Z754/16 |
| 20                 | 23,2           | 36             | 7,5            | <b>20</b>      | 20      |
| 24                 | 28             | 44             | 9,5            | <b>24</b>      | 24      |
| 30                 | 35             | 56             | 12             | <b>30</b>      | 30      |

Z 755/... (V5230/...)

DIN 6319



| Z281/..., Z753/... | d <sub>2</sub> | d <sub>5</sub> | h <sub>4</sub> | d <sub>1</sub> | Nr./No. |
|--------------------|----------------|----------------|----------------|----------------|---------|
| Z281/..., Z753/ 8  | 9,6            | 23             | 4              | <b>8</b>       | Z755/ 6 |
| 10                 | 12             | 28             | 5              | <b>10</b>      | 10      |
| 12                 | 14,2           | 35             |                | <b>12</b>      | 12      |
| 14                 | 16,5           | 40             |                | <b>14</b>      | 14      |

| Z281/..., Z753/... | d <sub>2</sub> | d <sub>5</sub> | h <sub>4</sub> | d <sub>1</sub> | Nr./No. |
|--------------------|----------------|----------------|----------------|----------------|---------|
| Z281/..., Z753/16  | 19             | 45             | 6              | <b>16</b>      | Z755/16 |
| 20                 | 23,2           | 50             | 8              | <b>20</b>      | 20      |
| 24                 | 28             | 60             | 10             | <b>24</b>      | 24      |
| 30                 | 35             | 68             | 12             | <b>30</b>      | 30      |

This is trial version  
www.adultpdf.com